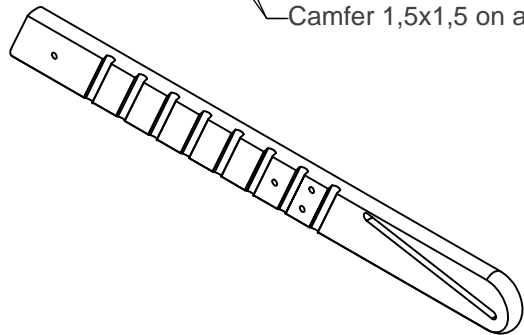
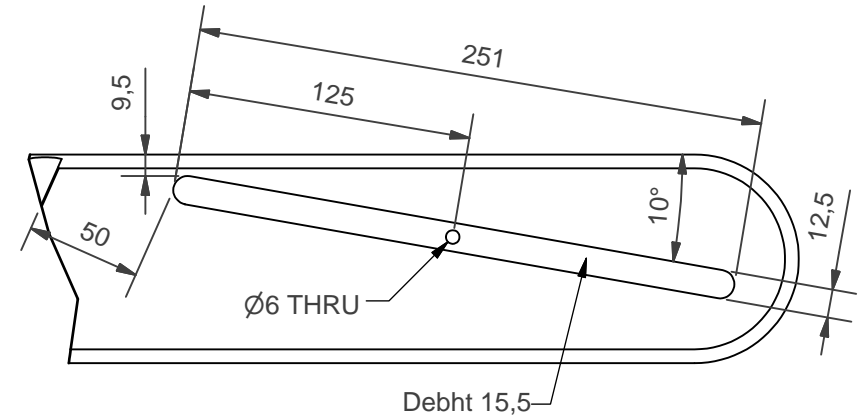
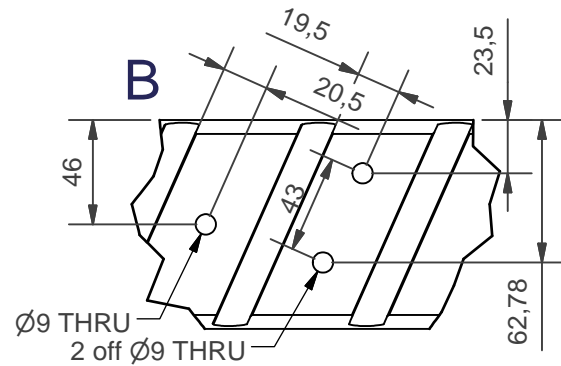
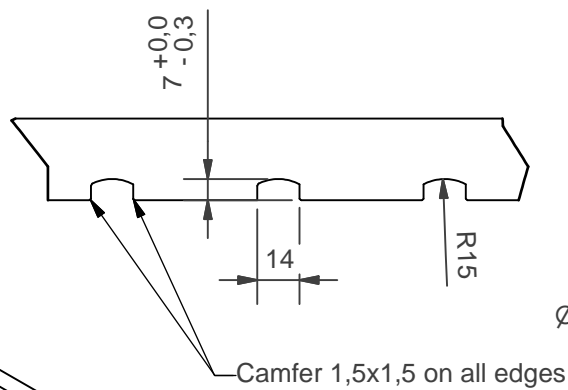


From Estonia 28 mm



APPROVALS			FLEXA Møbler	
CHECKED	DRAWN	CHANGED	TITEL	
	sch	Redrawn	Front leg RH	
	rn.	From ø8mm hole to ø9mm hole.	SHEET	
	17.06.05		1 / 1	
G	LLN	Tolerance added to 7mm.	MODEL	VER.
	12-03-07		75045	H
H	LLN	From 15mm. groove to 14mm.	DWG NO	
	11-04-08		510100	
		Distance between grooves = 55mm.	Material/Paint	
		20 + 19 changed to 20,5 + 19,5	Pine Wood	

New item No. 12-02709431