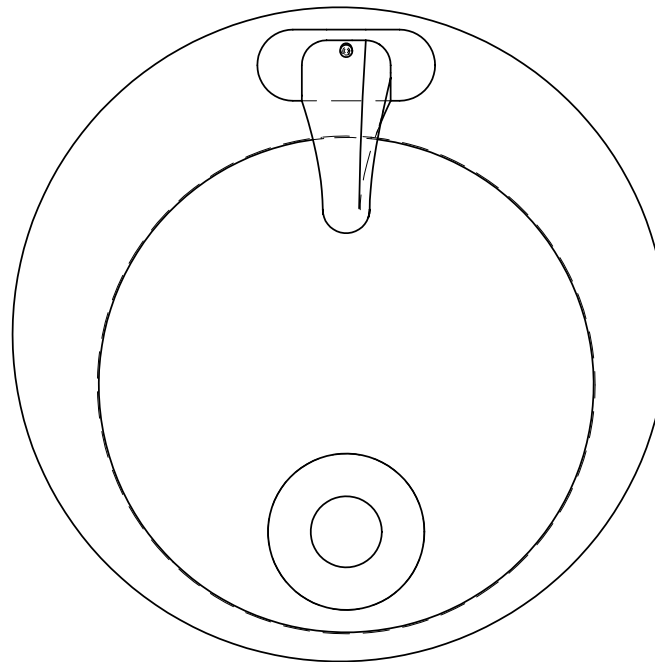
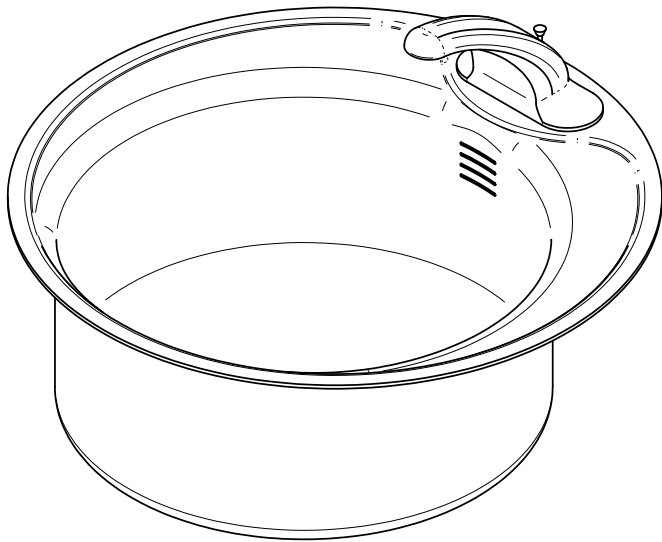
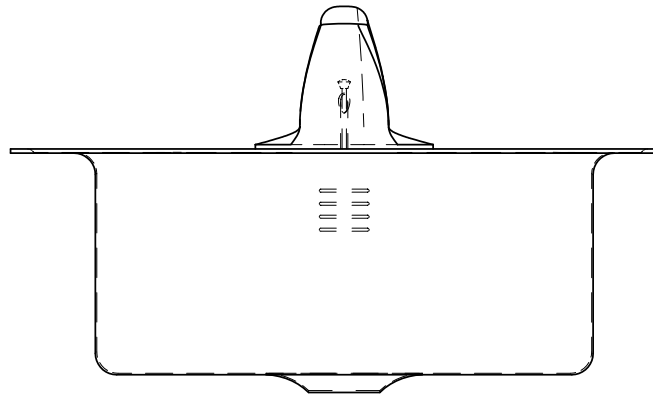


REVISION HISTORY			
REV	DESCRIPTION	DATE	APPROVED



SOLID EDGE ACADEMIC COPY

DRAWN	NAME	DATE	SOLID EDGE UGS - The PLM Company		
CHECKED	Kalte	01/01/01			
ENG APPR					
MGR APPR					
UNLESS OTHERWISE SPECIFIED DIMENSIONS ARE IN MILLIMETERS ANGLES ±XX° 2 PL ±XXX 3 PL ±XXXX			SIZE	DWG NO	REV
			A2		
			FILE NAME: Draft12		
			SCALE:	WEIGHT:	SHEET 1 OF 1